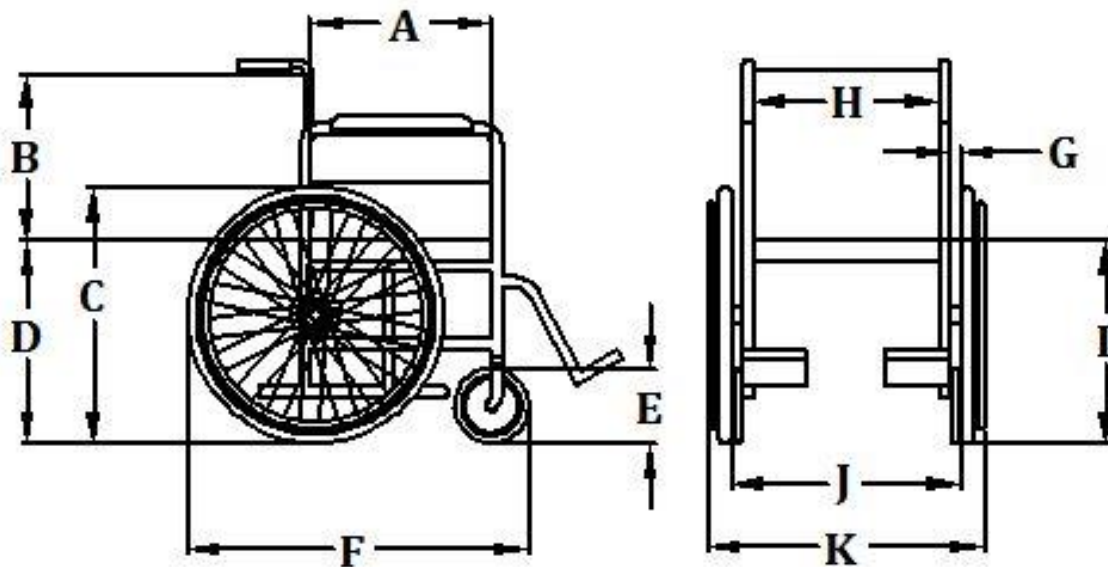




CUSTOMER NAME



WHEEL CHAIR MEASUREMENTS

A : Seat Depth 17"

B: Adjustable Seat Max Height 15-3/4"

C : Rear Tire Height 25"

D: Back Seat Height 17"

E: Front Caster Height 8"

F: Chair Full Length 40"

G: Rear Tire Spacing

H: Seat Width Available in 15"-18"

I: Front Seat Height 21"

J: Foot Rest Width 15-1/2"

K: Over All Width 30"